

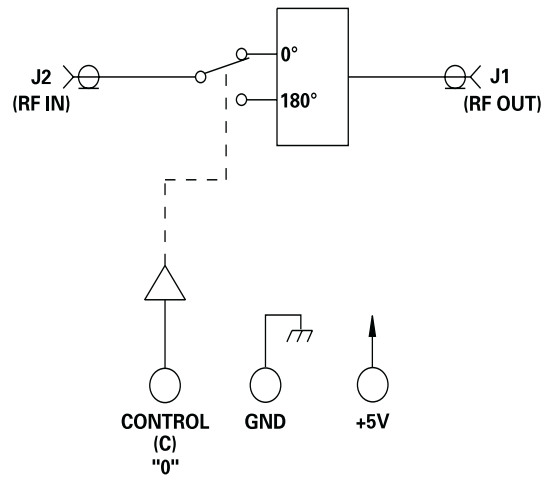
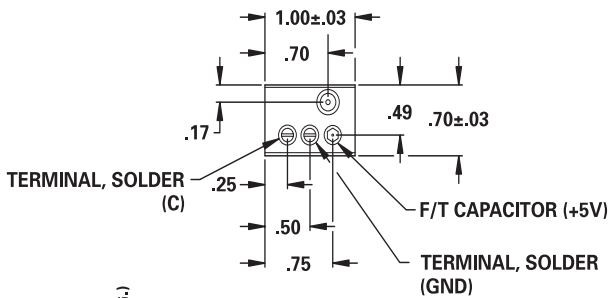
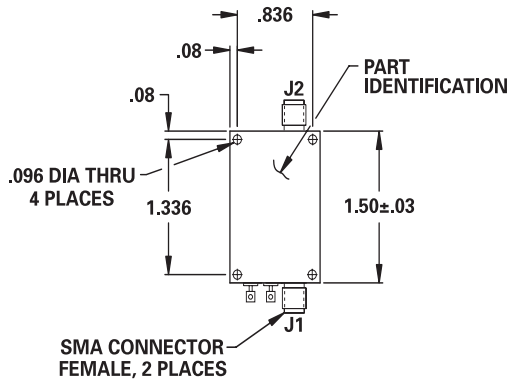
MODEL NUMBER DPMB9058

GaAs Bi-Phase Modulator

FEATURES

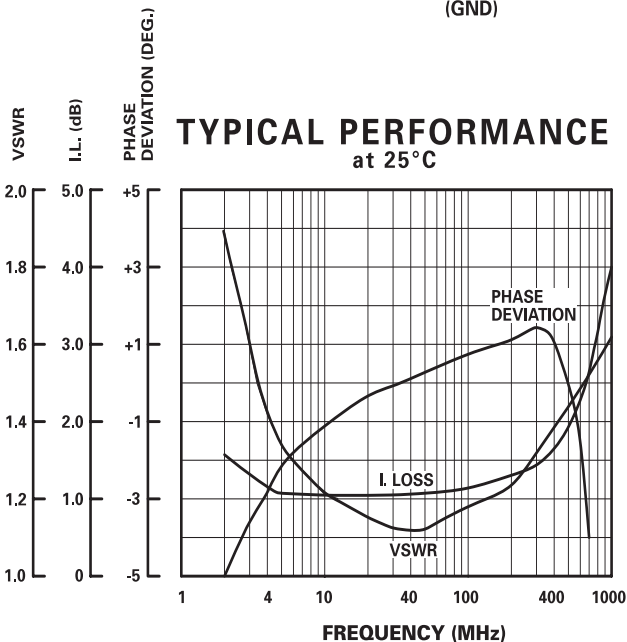
- 10-500 MHz
- ± 1 Deg. Phase Accuracy
- 0.3 mA, +5 VDC
- 1.0 dB Insertion Loss
- +17 dBm 0.1 dB Compression
- 35 nSec Transition Time
- 50 nSec Switching Time
- TTL Control
- See DBP0938 For TO-8 Version

BPM



GUARANTEED PERFORMANCE

Parameter	Min	Typ	Max	Units	Conditions
Operating Frequency	10		500	MHz	
DC Current		0.3	2.0	mA	At +5 VDC Supply
Control Type		TTL			1 Line Logic "1" = Phase Reversal
Control Current		0	±20	µA	V _{IH} = +3.0 V V _{IL} = +0.6 V
Insertion Loss		1.0	1.5	dB	10 - 100 MHz
		1.8	2.5	dB	100 - 500 MHz
Phase		180		DEG	
	Step Accuracy	±1.0	±3.0	DEG	
VSWR		1.25/1	1.5/1		
Impedance		50		OHMS	
Switching Speed		50	70	nSec	50% TTL to 90% / 10% RF
Transition (Rise/Fall) Time		35	50	nSec	10% / 90% or 90% / 10% RF
Switching (Video) Transients		22	50	mV	Peak Value
Intercept Points		+80		dBm	70 MHz / 50 MHz
		+47		dBm	35 MHz / 50 MHz
RF Power	Operate	+15	+13	dBm	0.1 dB Compression
	No Damage		+23	dBm	
Operating Temperature	-55	+25	+85	°C	TA



DAICO Industries

310.507.3242 • FAX 310.507.5701 • www.daico.com