

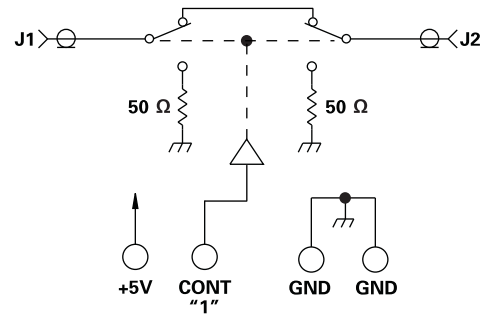
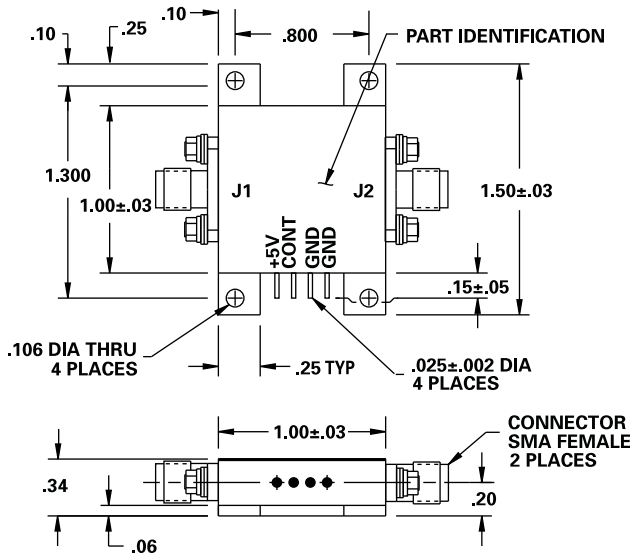
MODEL NUMBER CDS0671

GaAs SPST

FEATURES

- 10-2000 MHz
- 8 nSec Transition Time
- 20 nSec Switching Speed
- 2 mA, +5 VDC
- TTL Driver
- Non-Reflective
- Replaceable SMA Connectors

SPST



GUARANTEED PERFORMANCE

Parameter	Min	Typ	Max	Units	Conditions
Operating Frequency	10		2000	MHz	
DC Current		2	7	mA	At +5 VDC Supply
Control Type		TTL			1 Line Logic "1" = Thru
Control Current	High	4	±20	µA	V _{IH} = +2.7V
	Low	1	±20	µA	V _{IL} = +0.5V
Insertion Loss		1.8	2.5	dB	
Isolation	70	79		dB	10 - 1000 MHz
	55	64		dB	1000 - 1500 MHz
	40	52		dB	1500 - 2000 MHz
VSWR		1.2/1	1.3/1		
Impedance		50		OHMS	
Switching Speed		20	30	nSEC	50% TTL to 90% / 10% RF
Transition (Rise/Fall) Time		8	15	nSEC	10% / 90% or 90% / 10% RF
Switching (Video) Transients		31	50	mV	Peak Value
Intercept Points	2nd	+62	+72	dBm	70 MHz / 50 MHz
	3rd	+37	+47	dBm	35 MHz / 50 MHz
RF Power	Operate	+12	+10	dBm	.1 dB Compression
	No Damage		+30	dBm	
Operating Temperature	-55	+25	+125	°C	TA

