



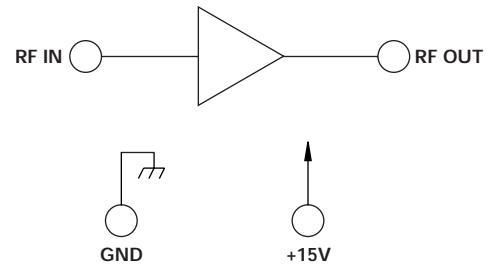
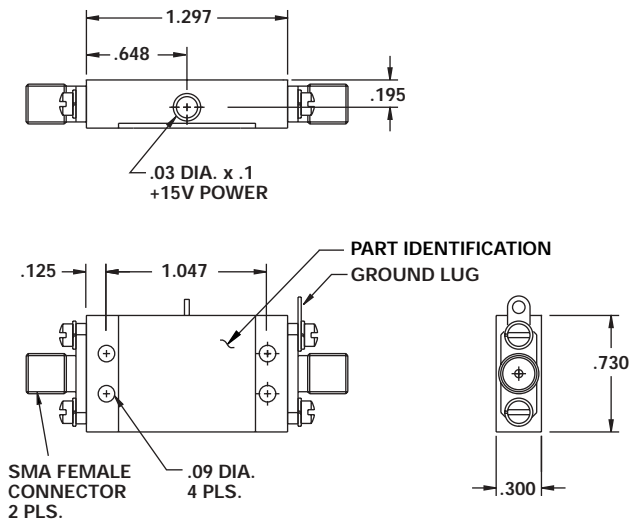
MODEL NO.  
DAMB6454-X

Broadband Amplifier

FEATURES

- 2 - 18 GHz
- SMA Connectors
- 2.8 dB NF
- Gain Flatness  $\pm 1.5$  dB

AMP



GUARANTEED PERFORMANCE

Model Number	Noise Figure	Gain	Gain Flatness	Output Power P/1 dB	IP3	VSWR	DC Current At 15V
(Frequency Range: 2 - 18 GHz)	(dB Max)	(dB Min)	( $\pm$ dB)		(dBm Typ)	(Max)	(mA Nom)
DAMB6454-1	2.8	23	1.5	9	17	2.0:1	160
DAMB6454-2	4.0	25	1.5	9	17	2.0:1	160
DAMB6454-3	2.8	26	1.5	15	23	2.0:1	180
DAMB6454-4	3.0	26	1.5	18	26	2.0:1	200
DAMB6454-5	4.0	27	1.5	20	28	2.0:1	230