

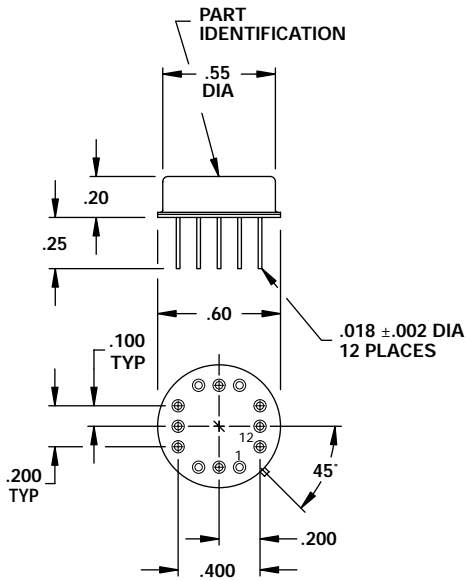
## FEATURES

- High Isolation
- $\pm 0.2$  dB Flatness
- TO-8 Package
- 10, 15, 20 dB Coupling Available



MODEL NO.  
DDC01920

Coupler



.xx = .02  
.xxx = .010

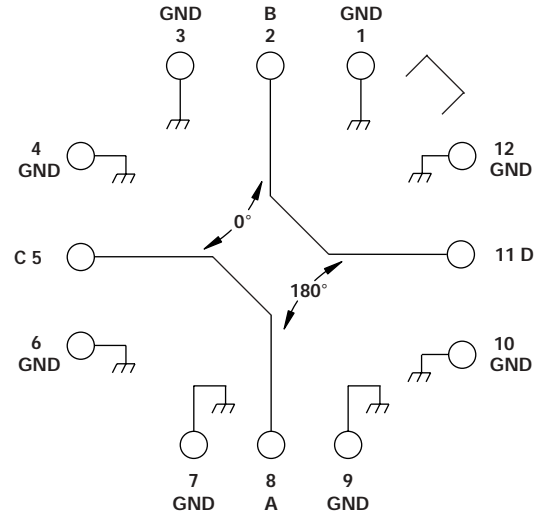
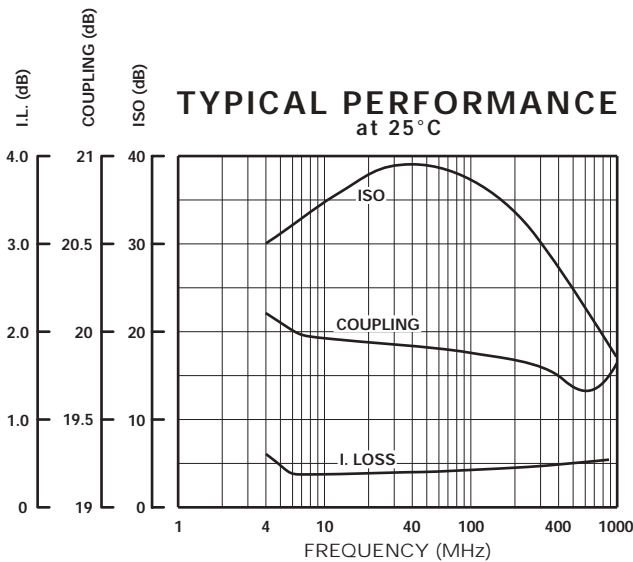


TABLE	
dB	Part Number
10	DDC01910
15	DDC01915
20	DDC01920



## GUARANTEED PERFORMANCE

Parameter	Min	Typ	Max	Units	Conditions
Operating Frequency	10		500	MHz	
Insertion Loss		0.5	0.7	dB	Thru
Coupling	19.7	20.2	20.7	dB	
Flatness		$\pm 0.2$	$\pm 0.5$	dB	
Isolation	30	35		dB	10 - 100 MHz
	20	25		dB	100 - 500 MHz
VSWR		1.1/1	1.3/1		
Impedance		50		OHMS	
RF Power			+30	dBm	0.1 dB Compression
			+36	dBm	
Operating Temperature	-55	+25	+125	°C	TA